

ULTRA VIOLET LED Lamp

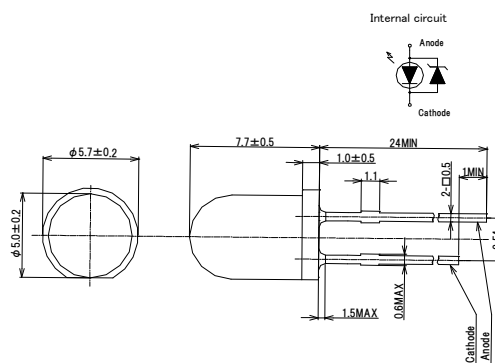
NS370L-ERLM

(1) Absolute Maximum Ratings (Ta=25°C)

Item	Symbol	Maximum Rating	Unit
DC Forward Current	I_F	25	mA
Pulse Forward Current*	I_{FP}	100	mA
Reverse Current	I_R	85	mA
Power Dissipation	P_D	100	mW
Operating Temperature	T_{OPR}	-30 to +80	°C
Storage Temperature	T_{STG}	-30 to +85	°C
Soldering Temperature	T_{SOL}	260(within 10sec)	°C

* Conditions : Duty Cycle $\leq 1/10$, Pulse Width ≤ 0.1 msec

(3) Dimension (Unit : mm)



(2) Optical and Electrical Characteristics (Ta=25°C)

Item	Symbol	Condition	Min.	Typ.	Max.	Unit	
Forward Voltage	NS370L	V_F	$I_F=20$ mA	3.2	3.6	4.2	V
Peak Wavelength*1	NS370L	λ_p	$I_F=20$ mA	370	-	375	nm
Full Width at Half Maximum	NS370L	$\Delta\lambda$	$I_F=20$ mA	8	-	16	nm
Optical Output Power *2		P_o	$I_F=20$ mA	Refer to Rank Information			mW

*1 Measurement error is ± 2 nm

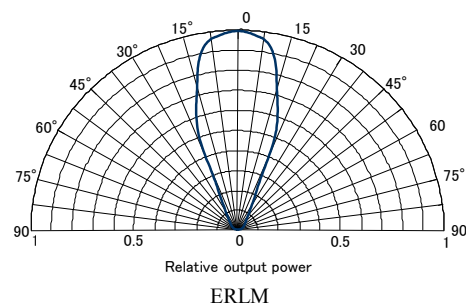
*2 Measurement error is $\pm 10\%$

Rank Information

Rank	Optical Output Power			NS370L
	Min.	Typ.	Max.	
				-ERLM
12	14.0	-	17.4	ask*3
13	17.4	-	21.0	ask*3

*3 Please contact us for availability.

(4) Directive Characteristics (Ta=25°C)



CAUTION

- LEDs emit very strong UV radiation.
- Don't look directly into the LED light. UV radiation can harm your eyes.
- To prevent even inadequate exposure, wear protective eyewear.
- If LEDs are embedded in devices, please indicate warning labels against the UV light LED used.
- Keep out of reach of children.

Specification and dimension are subject to change for improvement without notice.

NITRIDE
SEMICONDUCTORS
Co.,Ltd.

NITRIDE SEMICONDUCTORS Co., Ltd.
115-7 Itayajima, Akinokami, Seto-cho,
Naruto-shi, Tokushima. 771-0360 JAPAN
TEL: +81-88-683-7750 FAX: +81-88-683-7751
URL: <http://www.nitride.co.jp> Mail: nitride@nitride.co.jp