

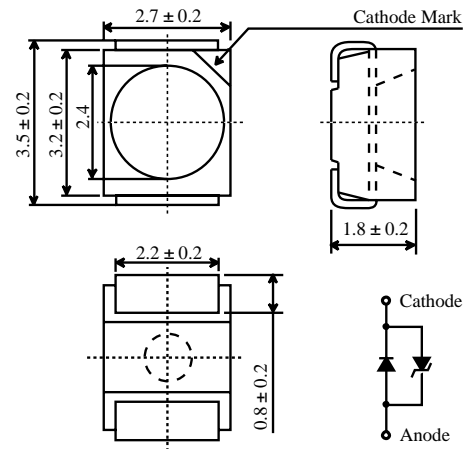
ULTRA VIOLET LED Lamp SMD Type

(1) Absolute Maximum Ratings (Ta=25)

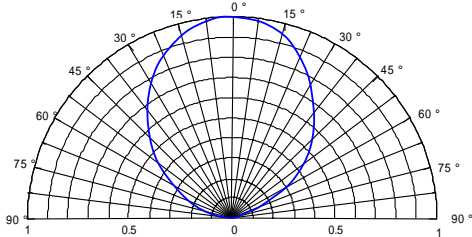
Item	Symbol	Maximum Rating	Unit
DC Forward Current	I_F	25	mA
Pulse Forward Current*	I_{FP}	100	mA
Power Dissipation	P_D	100	mW
Operating Temperature	T_{OPR}	-30 to +80	
Storage Temperature	T_{STG}	-30 to +85	

* Conditions : Duty Cycle 1/10, Pulse Width 0.1msec

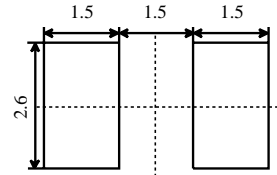
(3) Dimension (Unit : mm)



(2) Directive Characteristics (Ta=25)



(4) Recommended Soldering Pattern (Unit : mm)



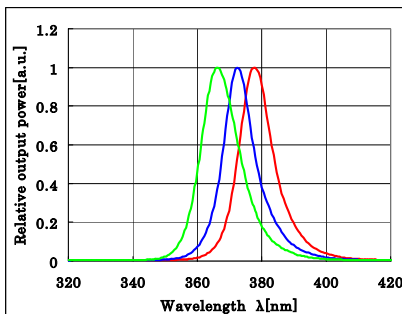
(5) Optical and Electrical Characteristics (Ta=25)

Item	Symbol	Condition	Min.	Typ.	Max.	Unit	
Forward Voltage	365L	$I_F=20\text{mA}$	3.2	3.6	4.2	V	
	370L						
	375L						
Peak Wavelength*1	365L	$I_F=20\text{mA}$	363	-	370	nm	
	370L		370	-	375		
	375L		375	-	380		
Full Width at Half Maximum	365L	$I_F=20\text{mA}$	10	-	20	nm	
	370L						
	375L						
Optical Output Power	365L	Po.	$I_F=20\text{mA}$	-	1.2	-	mW
	370L			-	2.0	-	
	375L			-	3.5	-	
				-	-	-	

*1 Measurement error is $\pm 2\text{nm}$

*2 Measurement error is $\pm 10\%$

(6) Spectrum (Ta=25)



CAUTION

- LEDs emit very strong UV radiation.
- Don't look directly into the LED light. UV radiation can harm your eyes.
- To prevent even inadequate exposure, wear protective eyewear.
- If LEDs are embedded in devices, please indicate warning labels against the UV light LED used.
- Keep out of reach of children.

Specification and dimension are subject to change for improvement without notice.