

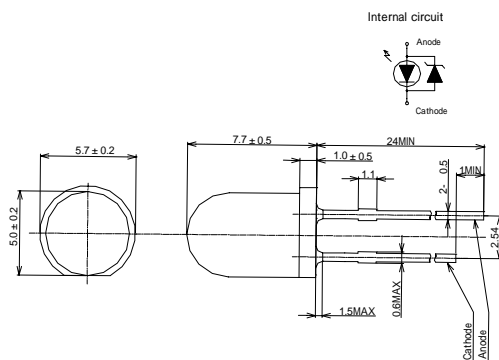
ULTRA VIOLET LED Lamp

(1) Absolute Maximum Ratings (Ta=25)

Item	Symbol	Maximum Rating	Unit
DC Forward Current	I_F	25	mA
Pulse Forward Current*	I_{FP}	100	mA
Reverse Current	I_R	85	mA
Power Dissipation	P_D	100	mW
Operating Temperature	T_{OPR}	-30 to +80	
Storage Temperature	T_{STG}	-30 to +85	
Soldering Temperature	T_{SOL}	260(within 10sec)	

* Conditions : Duty Cycle 1/10, Pulse Width 0.1msec

(3) Dimension (Unit : mm)



(2) Optical and Electrical Characteristics (Ta=25)

Item	Symbol	Condition	Min.	Typ.	Max.	Unit
Forward Voltage	V_F	$I_F=20mA$	3.2	3.6	4.2	V
Peak Wavelength*1	NS365L	$I_F=20mA$	363	-	370	nm
	NS370L		370	-	375	
	NS375L		375	-	380	
Full Width at Half Maximum	$\Delta\lambda$	$I_F=20mA$	10	-	20	nm
Optical Output Power *2	P_o	$I_F=20mA$	Refer to Rank Information			mW

*1 Measurement error is $\pm 2nm$

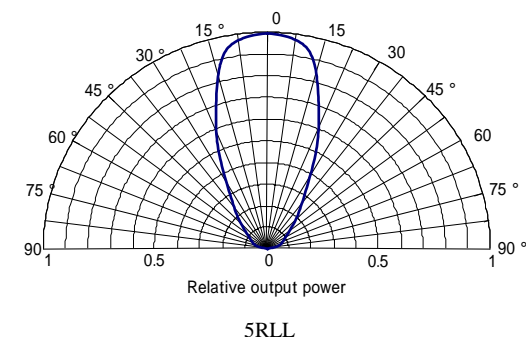
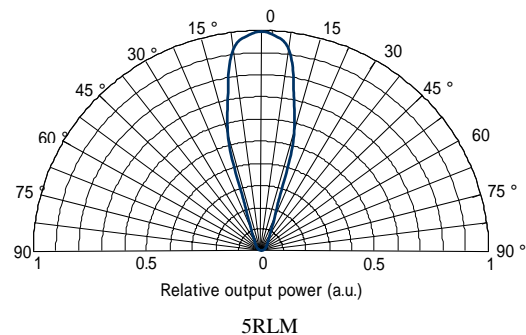
*2 Measurement error is $\pm 10\%$

Rank Information

Rank	Optical Output Power			NS365L		NS370L		NS375L	
	Min.	Typ.	Max.	5RLM	-5RLL	5RLM	-5RLL	5RLM	-5RLL
5	1.2	-	1.8						
6	1.8	-	2.4						
7	2.4	-	4.0						
8	4.0	-	6.0						
9	6.0	-	8.4						
10	8.4	-	11.0						
11	11.0	-	14.0						

*3 Please contact us for availability.

(4) Directive Characteristics (Ta=25)



CAUTION

- LEDs emit very strong UV radiation.
- Don't look directly into the LED light. UV radiation can harm your eyes.
- To prevent even inadequate exposure, wear protective eyewear.
- If LEDs are embedded in devices, please indicate warning labels against the UV light LED used.
- Keep out of reach of children.

Specification and dimension are subject to change for improvement without notice.