

NS365L-5CLA NS365L-5CFA
NS370L-5CLA NS370L-5CFA
NS375L-5CLA NS375L-5CFA

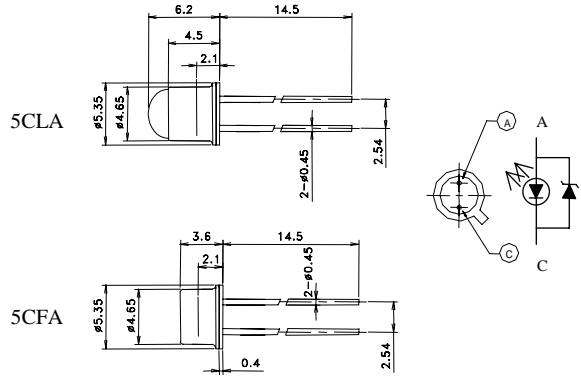
ULTRA VIOLET LED Lamp

(1) Absolute Maximum Ratings (Ta=25)

Item	Symbol	Maximum Rating	Unit
DC Forward Current	I _F	25	mA
Pulse Forward Current*	I _{FP}	100	mA
Reverse Current	I _R	85	mA
Power Dissipation	P _D	100	mW
Operating Temperature	T _{OPR}	-30 to +80	
Storage Temperature	T _{STG}	-30 to +100	
Soldering Temperature	T _{SOL}	260(within 10sec)	

* Conditions : Duty Cycle 1/10, Pulse Width 0.1msec

(3) Dimension (Unit : mm)



(2) Optical and Electrical Characteristics (Ta=25)

Item	Symbol	Condition	Min.	Typ.	Max.	Unit
Forward Voltage	V _F	I _F =20mA	3.2	3.6	4.2	V
Peak Wavelength*1	NS365L	I _F =20mA	363	-	370	nm
	NS370L		370	-	375	
	NS375L		375	-	380	
Full Width at Half Maximum	NS365L	I _F =20mA	-	15	-	nm
	NS370L		-	12	-	
	NS375L		-	-	-	
Optical Output Power *2	P _o	I _F =20mA	Refer to Rank Information			mW

*1 Measurement error is ± 2nm

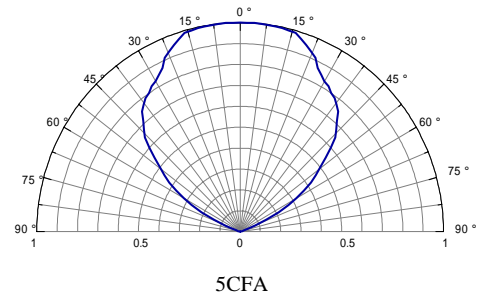
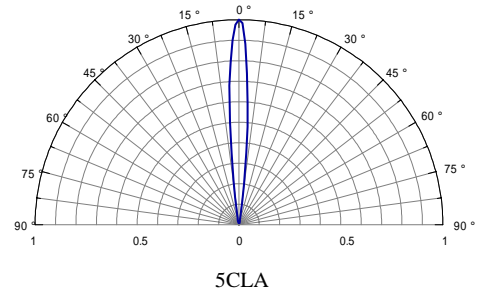
*2 Measurement error is ± 10%

Rank Information

Rank	Optical Output Power			NS365L		NS370L		NS375L	
	Min.	Typ.	Max.	-5CFA	-5CLA	-5CFA	-5CLA	-5CFA	-5CLA
2	0.4	-	0.6						
3	0.6	-	0.8						
4	0.8	-	1.2	ask*3	ask*3				
5	1.2	-	1.8						
6	1.8	-	2.4			ask*3			
7	2.4	-	3.0					ask*3	

*3 Please contact us for availability.

(4) Directive Characteristics (Ta=25)



CAUTION

- LEDs emit very strong UV radiation.
- Don't look directly into the LED light. UV radiation can harm your eyes.
- To prevent even inadequate exposure, wear protective eyewear.
- If LEDs are embedded in devices, please indicate warning labels against the UV light LED used.
- Keep out of reach of children.

Specification and dimension are subject to change for improvement without notice.