

ULTRA VIOLET LED 5 × 5 HIGH-POWER MODULE

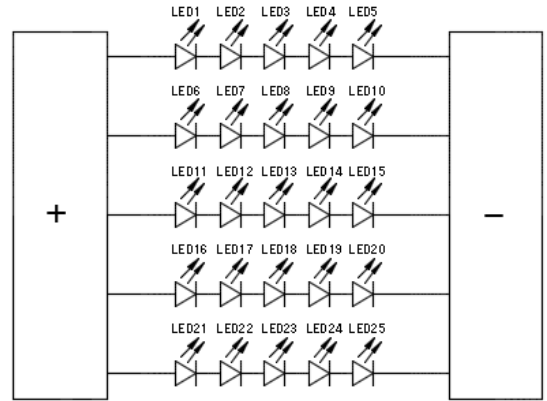
LS20170106

NS365M-55LR

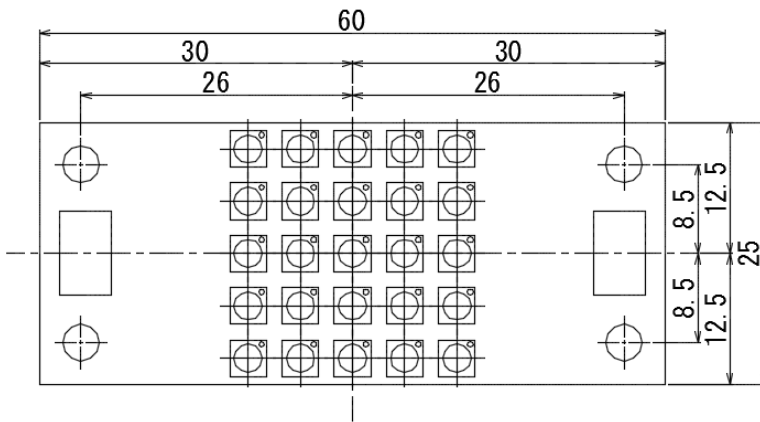
(1) Absolute Maximum Ratings

Item	Symbol	Maximum Rating	Unit
DC Forward Current	I_F	7.0	A
Junction Temperature	T_j	125	°C
Operating Temperature	T_{OPR}	-10 to +60	°C
Storage Temperature	T_{STG}	-40 to +100	°C

(2) Circuit Diagram



(3) Dimension (Unit : mm) Tolerance $\pm 0.2\text{mm}$



(4) Optical and Electrical Characteristics ($T_a=25^\circ\text{C}$, $\text{RH}=30\%$)

Item	Symbol	Condition	Min.	Typ.	Max.	Unit
Forward Voltage*1	V_F	$I_F=5\text{A}$	-	19.2	-	V
Peak Wavelength*2	λ_p	$I_F=5\text{A}$	360	-	370	nm
Full Width at Half Maximum	$\Delta\lambda$	$I_F=5\text{A}$	-	11	-	nm
Optical Output Power *3	P_o	$I_F=5\text{A}$	-	30.0	-	W

*1 Measurement error : $\pm 3\%$

*2 Measurement error : $\pm 3\text{nm}$

*3 Measurement error : $\pm 10\%$



CAUTION

- LEDs emit very strong UV radiation.
- Don't look directly into the LED light. UV radiation can harm your eyes.
- To prevent even inadequate exposure, wear protective eyewear.
- If LEDs are embedded in devices, please indicate warning labels against the UV light LED used.
- Keep out of reach of children.



INSTRUCTION FOR USE

Heat dissipation should be considered in the application design to avoid the environmental conditions for operation in excess of the absolute maximum ratings.

Specification and dimension are subject to change for improvement without notice.