

ULTRA VIOLET LED Lamp

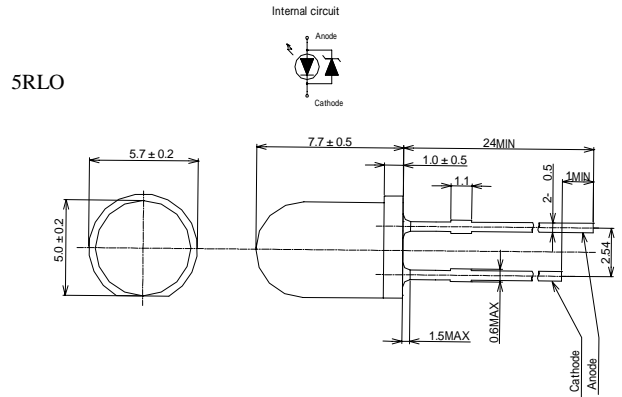
NS355L-5RLO NS360L-5RLO

(1) Absolute Maximum Ratings (Ta=25)

Item	Symbol	Maximum Rating	Unit
DC Forward Current	I_F	25	mA
Pulse Forward Current*	I_{FP}	100	mA
Reverse Current	I_R	85	mA
Power Dissipation	P_D	100	mW
Operating Temperature	T_{OPR}	-30 to +80	
Storage Temperature	T_{STG}	-30 to +85	
Soldering Temperature	T_{SOL}	260(within 10sec)	

* Conditions : Duty Cycle 1/10, Pulse Width 0.1msec

(3) Dimension (Unit : mm)



(2) Optical and Electrical Characteristics (Ta=25)

Item	Symbol	Condition	Min.	Typ.	Max.	Unit
Forward Voltage	NS355L NS360L	V_F $I_F=20mA$	3.2	3.6	4.2	V
Peak Wavelength*1	NS355L	λ_p $I_F=20mA$	353	-	360	nm
	NS360L		360	-	363	
Full Width at Half Maximum	NS355L NS360L	$\Delta\lambda$ $I_F=20mA$	10	-	20	nm
Optical Output Power *2	P_o	$I_F=20mA$	Refer to Rank Information			mW

*1 Measurement error is $\pm 2nm$

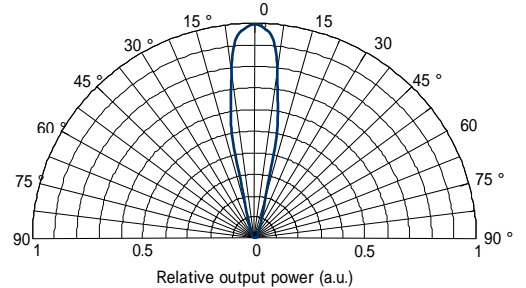
*2 Measurement error is $\pm 10\%$

Rank Information

Rank	Optical Output Power			NS355L	NS360L
	Min.	Typ.	Max.	-5RLO	-5RLO
4	0.8	-	1.2		
5	1.2	-	1.8		
6	1.8	-	2.4		

Please contact us for availability.

(4) Directive Characteristics (Ta=25)



5RLO



CAUTION

- LEDs emit very strong UV radiation.
- Don't look directly into the LED light. UV radiation can harm your eyes.
- To prevent even inadequate exposure, wear protective eyewear.
- If LEDs are embedded in devices, please indicate warning labels against the UV light LED used.
- Keep out of reach of children.

Specification and dimension are subject to change for improvement without notice.